



**ROURA**  
MATERIAL HANDLING

Michigan: (800) 968-9070

Mississippi: (800) 654-9147

[rouramh.com](http://rouramh.com)

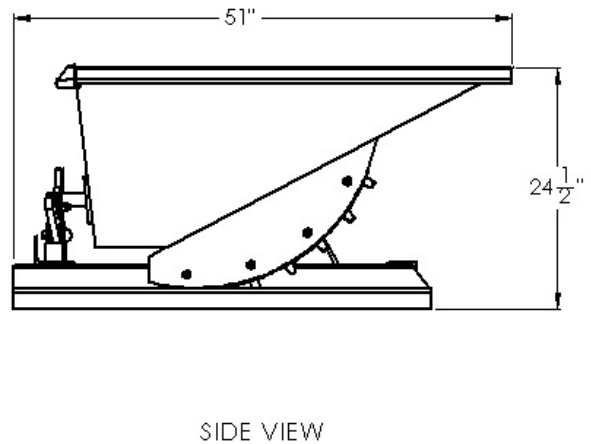
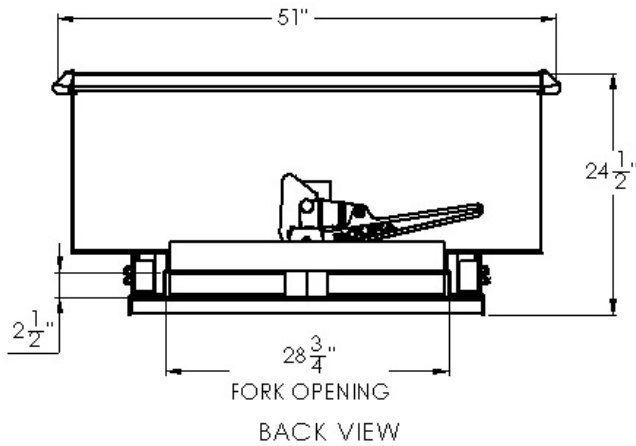
## RUGGED HOPPER MODEL

2T-3/16-SL-1/2 1/2 CU YD



MODEL #	SIZE	L	W	H	LH	FORK OPENING	WEIGHT	CAPACITY
2T-3/16-SL-1/2	1/2 CU YD	51"	51"	24.5"	24.5"	2 1/2" X 28 3/4"	407 LBS	4000 LBS

### RUGGED 2T-3/16-SL-1/2



**CONSTRUCTION:** 7 gauge plate body and 3/16" formed plate base. Bodies are 100% continuous weld for superior construction. Ductile iron handle, standard stops and secure flip latch are standard on this model.

**FINISH:** Bright safety green enamel paint (other colors optional).

**OPTIONAL ITEMS ARE AVAILABLE**