



**ROURA**  
MATERIAL HANDLING

Michigan: (800) 968-9070

Mississippi: (800) 654-9147

[rouramh.com](http://rouramh.com)

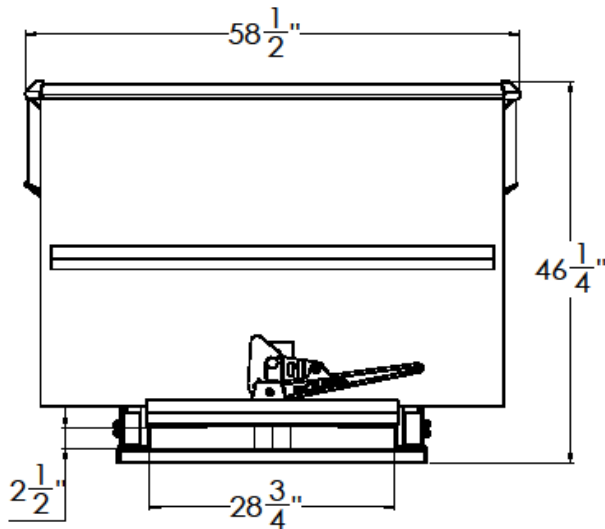
## RUGGED HOPPER MODEL

3T-3/16-540 2 CU YD

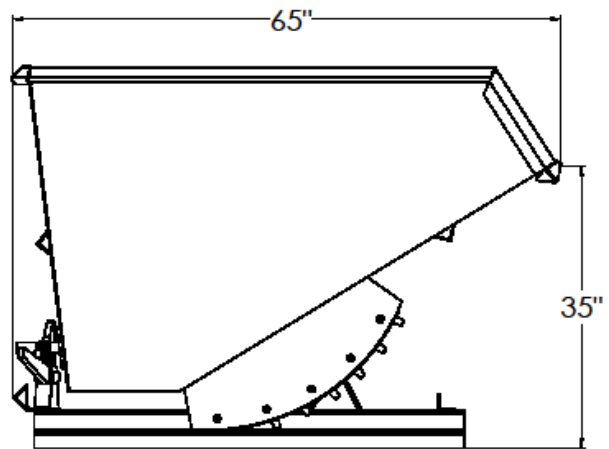


MODEL #	SIZE	L	W	H	LH	FORK OPENING	WEIGHT	CAPACITY
3T-3/16-540	2 CU YD	65"	58 1/2"	46 1/4"	35"	2 1/2" X 28 3/4"	773 LBS	6000 LBS

### RUGGED 3T-3/16-540



BACK VIEW



SIDE VIEW

**CONSTRUCTION:** 7 gauge plate body and 5/16" formed plated base. Bodies are 100% continuous weld for superior construction. Ductile iron handle, standard stops and secure flip latch are standard on this model.

**FINISH:** Bright safety green enamel paint (other colors optional).

OPTIONAL ITEMS ARE AVAILABLE

"FOR ALL YOUR MATERIAL HANDLING NEEDS!"