



ROURA
MATERIAL HANDLING

Michigan: (800) 968-9070

Mississippi: (800) 654-9147

rouramh.com

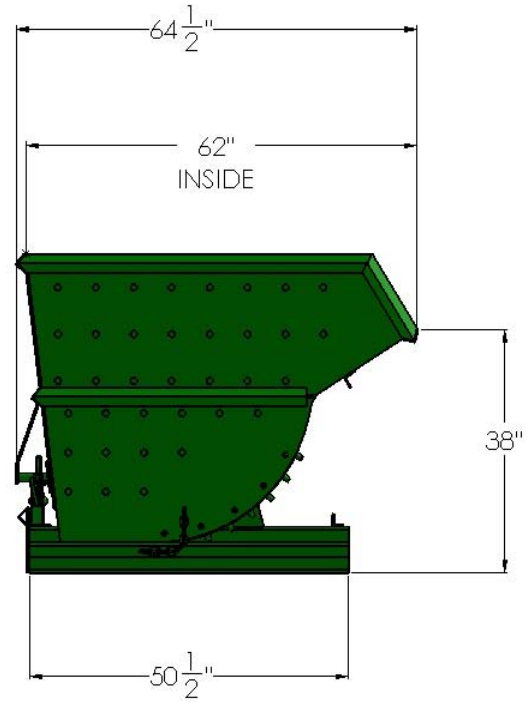
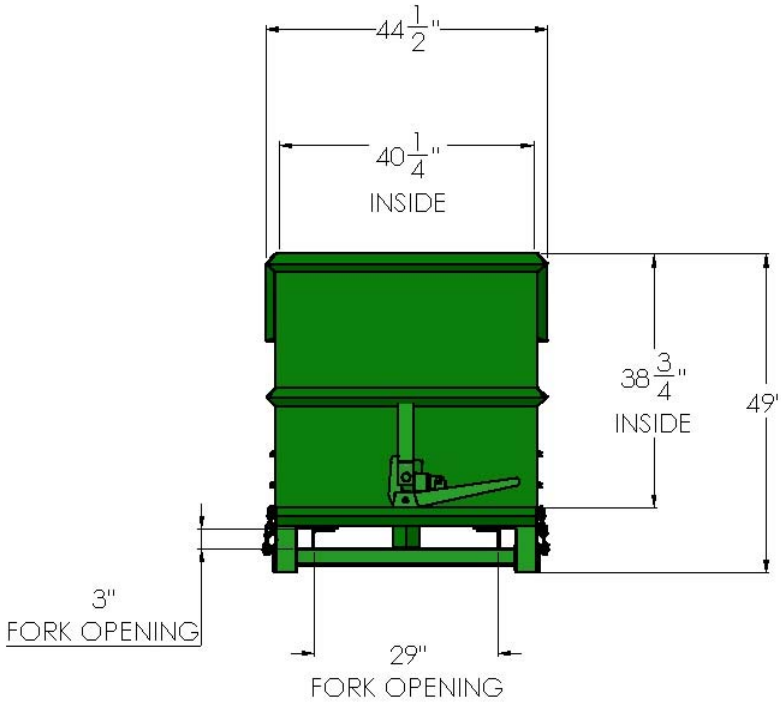
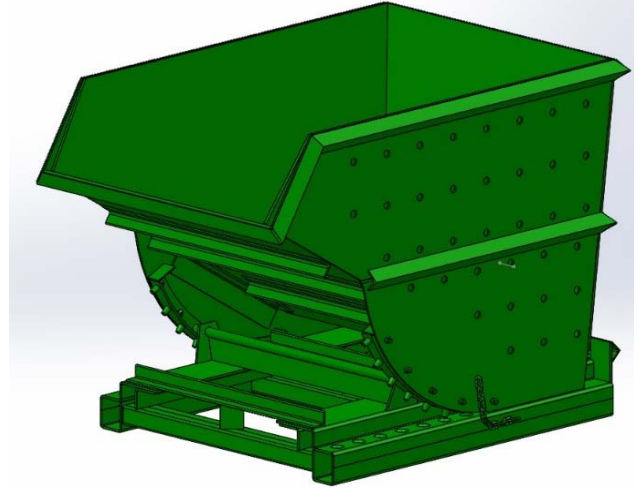


1 1/2 CU YD DROSS HOPPER 10,000 LBS

MODEL #	L	W	H	WEIGHT
DRS-375-410	64 1/2"	44 1/2"	49"	1500 LBS

1 1/2 YARD VOLUME CAPACITY

This Dross Self Dumping hopper is efficient to handle loads up to 10,000 lbs. that need collection of hot material applications. Roura's Dross hoppers are available in many sizes for those unique applications.



- **COMMON APPLICATIONS:** HOT GLASS, HOT FORGINGS AND ANY HOT MATERIAL COLLECTION APPLICATIONS.
- PLATE LINER IS 3/8" THICK WITH 1/4" PERFORATED SIDEWALLS TO RELEASE HEAT QUICKLY.
- 10,000 LBS. MAX LOAD CAPACITY.
- BRIGHT SAFETY GREEN ENAMEL PAINT (OPTIONAL COLORS AVAILABLE).
- CUSTOM SIZES ARE AVAILABLE UPON REQUEST.

"FOR ALL YOUR MATERIAL HANDLING NEEDS!"