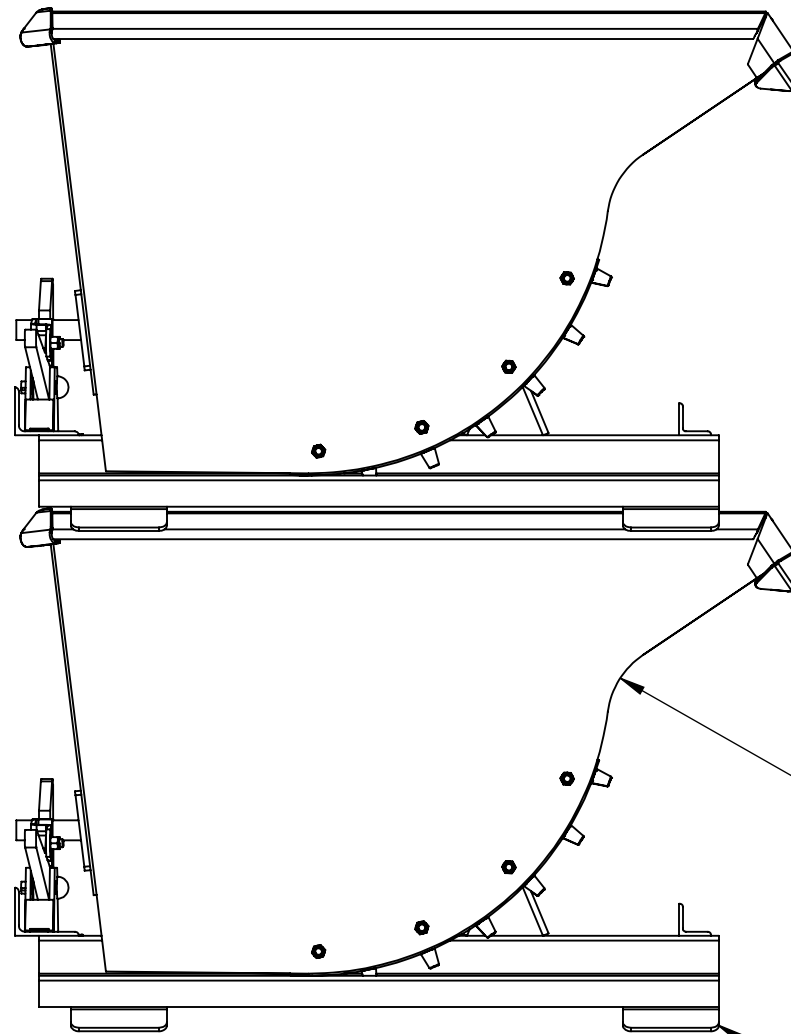
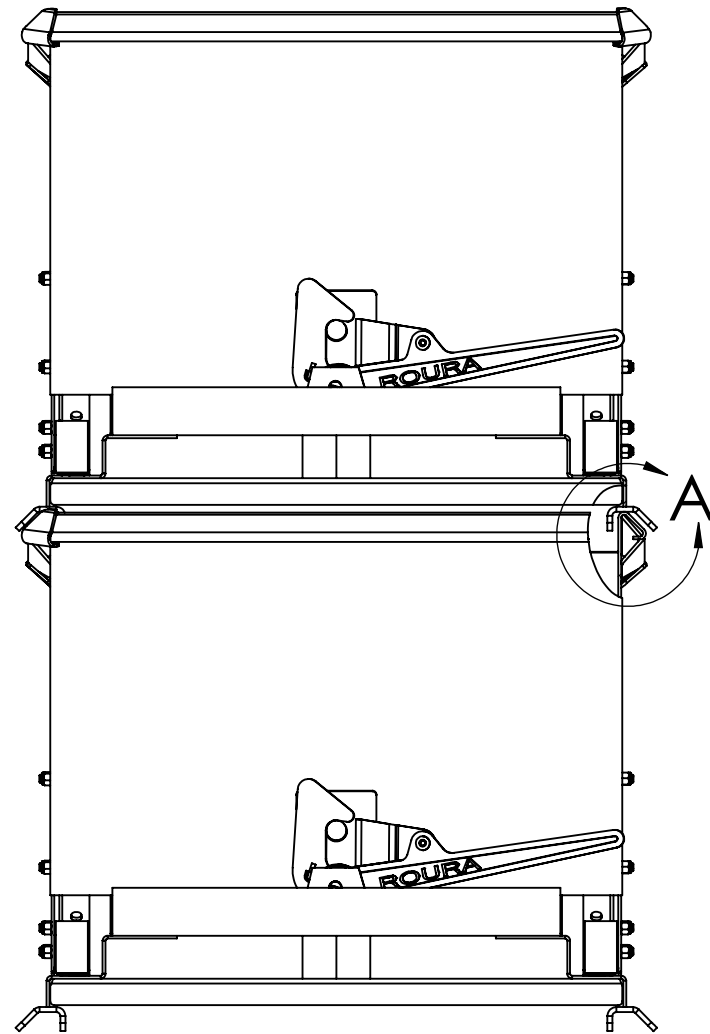
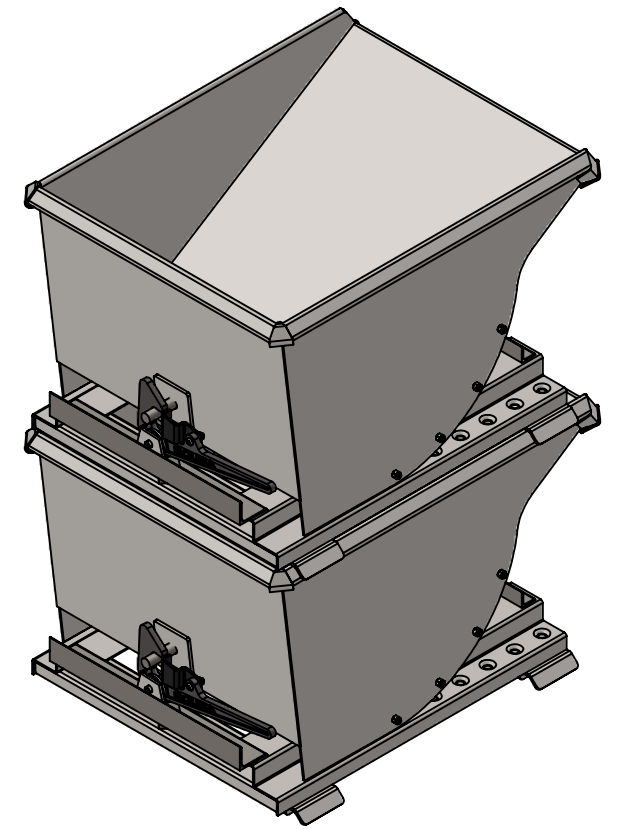


DETAIL A



STRAIGHT SIDE HOPPER ONLY

STACKING FEATURE
PART# SF-B.313
QTY-(4)

NOTES:

- 1.) STACKING FEATURE ADDS APPROX. 1-1/4" TO OVER ALL HEIGHT OF THE HOPPER.
- 2.) HOPPERS WITH STACKING FEATURES - MUST BE EMPTY AND STACKED NO MORE THEN 3 HIGH.

**STACKING FEATURE - BELOW
SF-B-ASSM-CD**