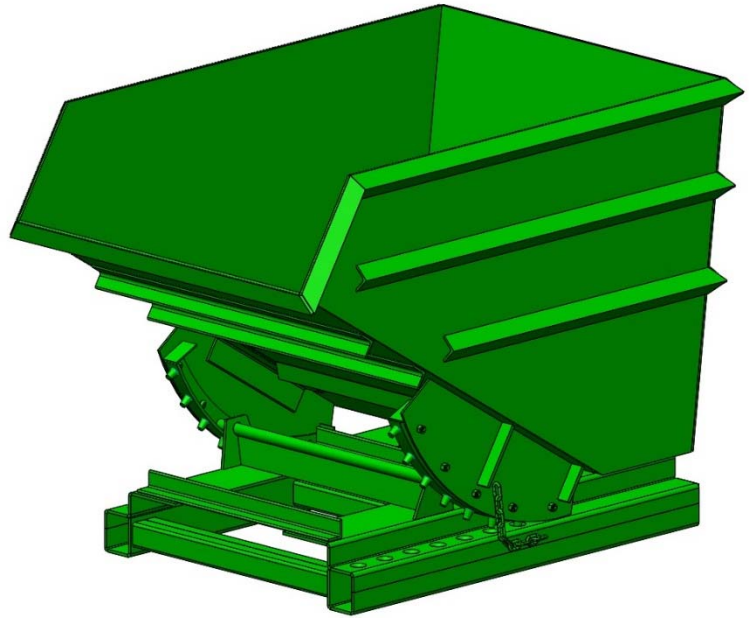


**ROURA**  
MATERIAL HANDLING

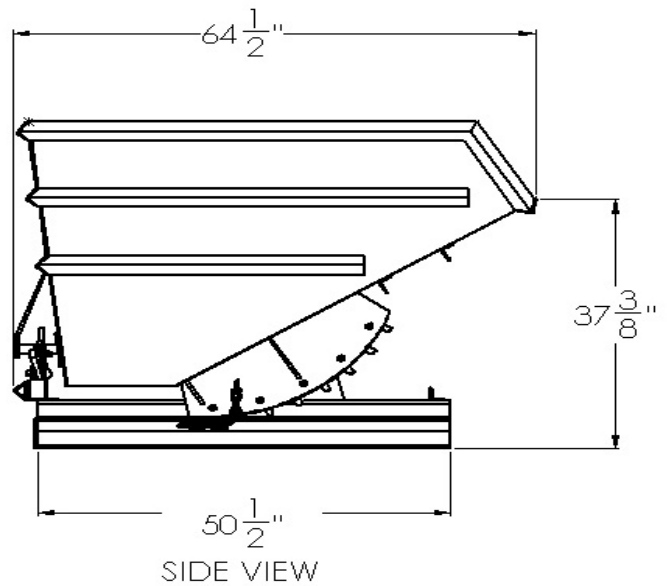
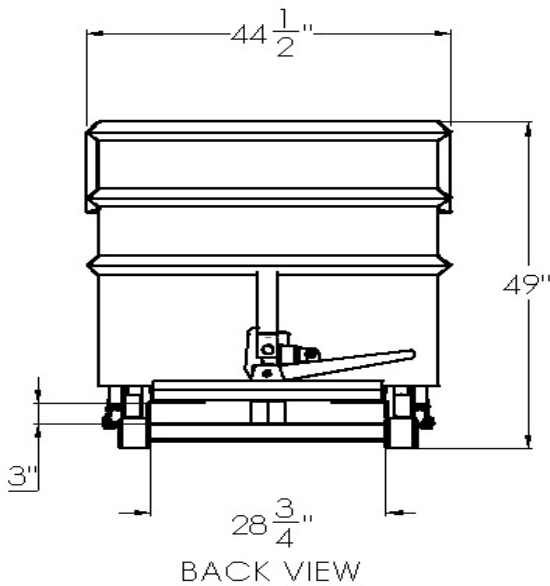
# ULTIMATE HOPPER MODEL

4T-1/4-410 1 1/2 CU YD



MODEL#	VOLUME	L	W	H	WEIGHT	FORK OPENING	MAX LOAD CAP
4T-1/4-410	1 1/2 Yd <sup>3</sup>	64 1/2"	44 1/2"	49"	1125 LBS	3" X 28-3/4"	8000 LBS

## ULTIMATE 4T-1/4-410



**CONSTRUCTION:**

**1/4" plate body reinforced with two additional row of angle, with a box tube base . Base to body chains and a steel handle.**