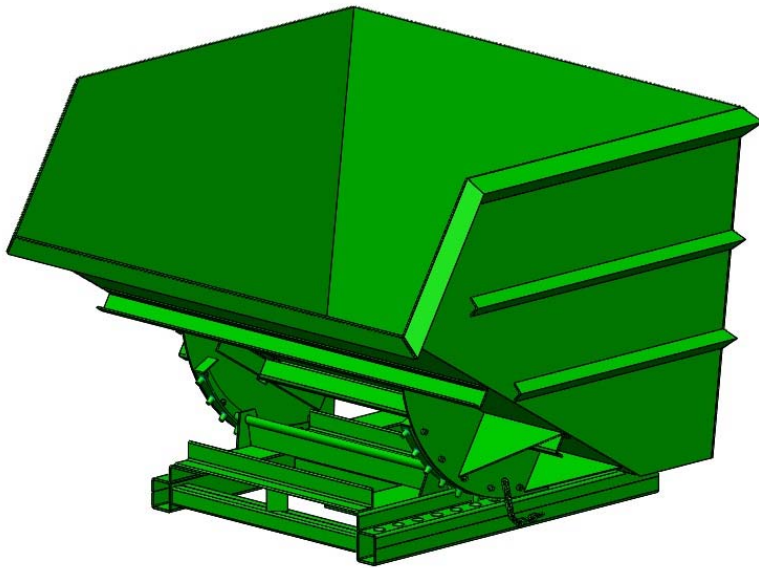


**ROURA**  
MATERIAL HANDLING

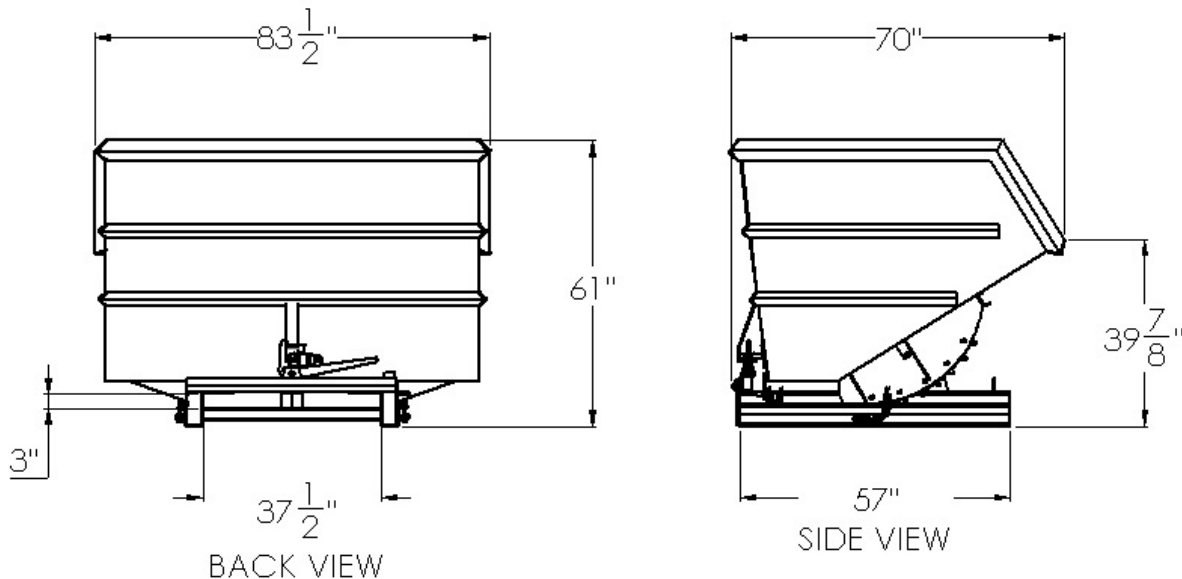
# ULTIMATE HOPPER MODEL

5T-1/4-1080 4 CU YD



MODEL#	VOLUME	L	W	H	WEIGHT	FORK OPENING	MAX LOAD CAP
5T-1/4-1080	4 Yd <sup>3</sup>	70"	83 1/2"	61"	1850 LBS	3" X 37 1/2"	10000 LBS

## ULTIMATE 5T-1/4-1080



**CONSTRUCTION:**

**1/4" plate body reinforced with two additional row of angle, with a box tube base . Base to body chains and a steel handle.**