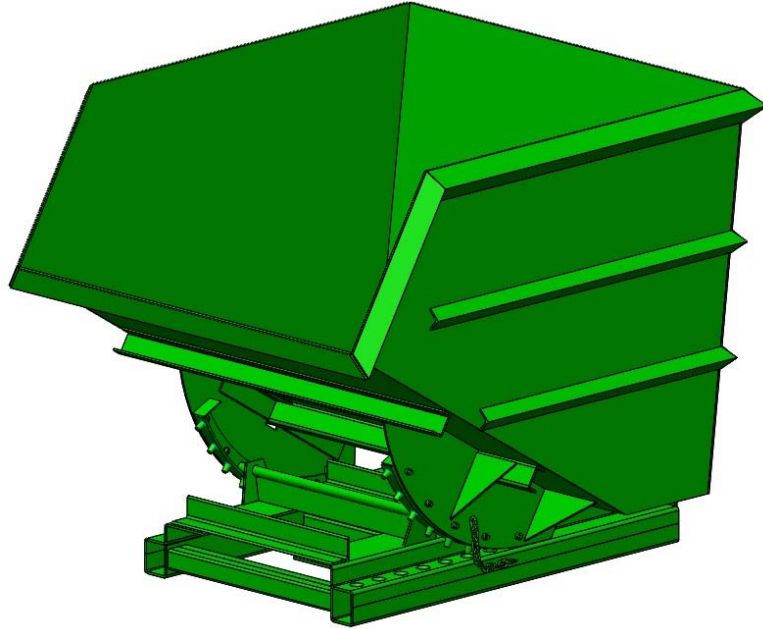


**ROURA**  
MATERIAL HANDLING

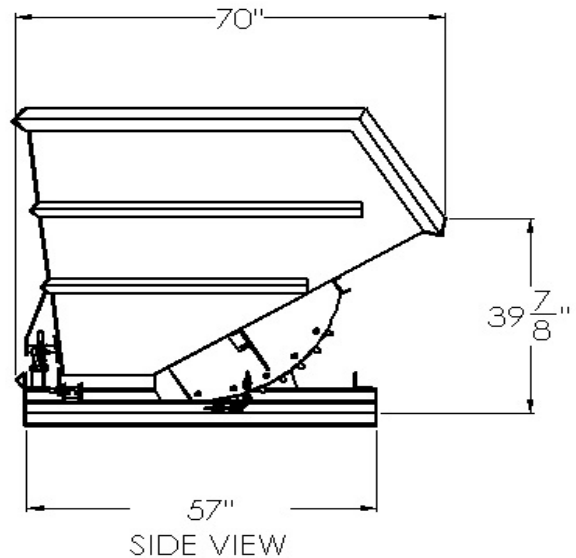
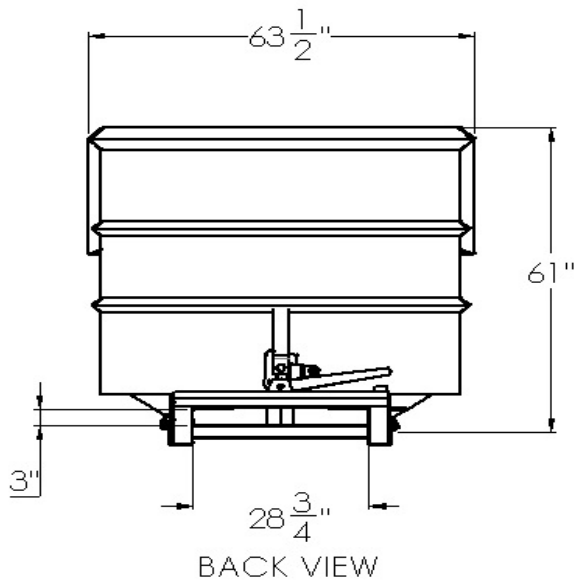
# ULTIMATE HOPPER MODEL

5T-1/4-810 3 CU YD



MODEL#	VOLUME	L	W	H	WEIGHT	FORK OPENING	MAX LOAD CAP
5T-1/4-810	3 Yd <sup>3</sup>	70"	63 1/2"	61"	1590 LBS	3" X 28-3/4"	10000 LBS

## ULTIMATE 5T-1/4-810



**CONSTRUCTION:**

**1/4" plate body reinforced with two additional row of angle, with a box tube base . Base to body chains and a steel handle.**