



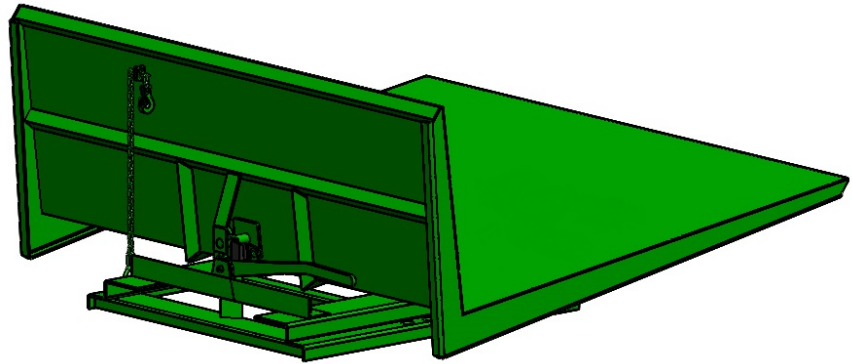
**ROURA**  
MATERIAL HANDLING

Michigan: (800) 968-9070

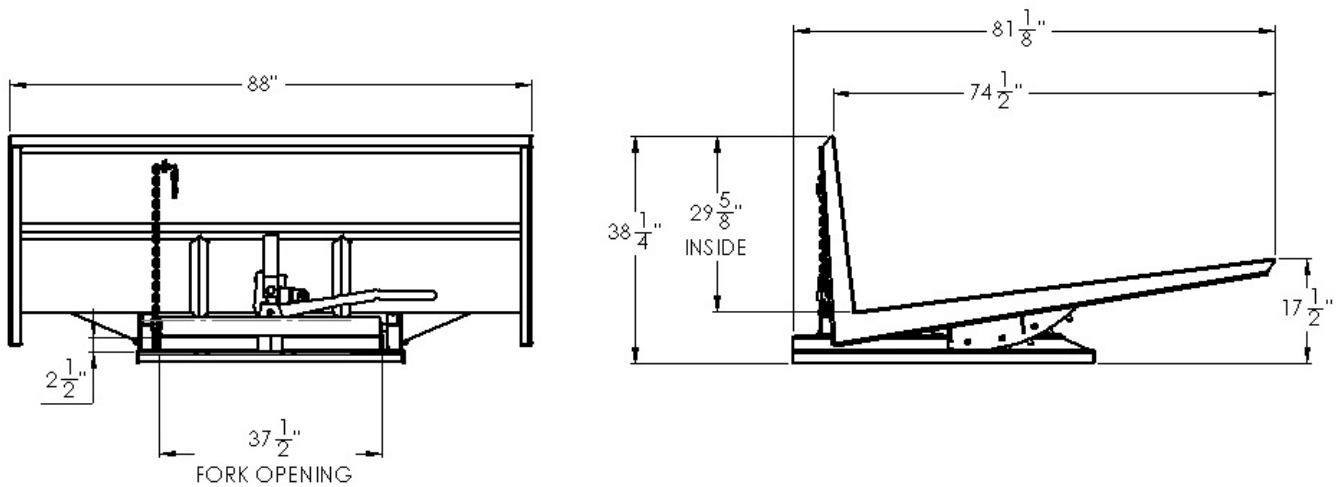
Mississippi: (800) 654-9147

[rouramh.com](http://rouramh.com)

## SKELETON HOPPER MODEL SKL-OS



MODEL #	VOLUME	L	W	H	WEIGHT	FORK OPENING	MAX LOAD CAP
SKL-OS	OPEN	81 1/8"	88"	38 1/4"	980 LBS	2 1/2" X 37 1/2"	6000 LBS



**CONSTRUCTION:** 7gauge plate body, reinforced with angle iron. 5/16" formed plate base. Steel handle, standard stops and secure flip latch, mast secure chain is standard on this model.

**FINISH:** Bright safety green enamel paint (other colors optional).

OPTIONAL ITEMS ARE AVAILABLE

**"FOR ALL YOUR MATERIAL HANDLING NEEDS!"**